



Luminite Integration with HeiTel devices

Luminite have carried out development work to enable the interface of their 'wireless receiver' module (the LGIP MT434 Masthead Receiver) directly to the HeiTel range of transmitters/DVRs.

The Luminite 'wireless receiver' module connects directly to the serial port of the HeiTel device with a simple RS232 connection and enables the **connection of 25 Luminite Wireless PIR's** (and their associated tampers) without the need for the HeiTel 'CI-Adapter'. The wireless receiver mimics the CI-Adapter and enables the alarms to be configured as if there were a CI-Adapter connected.

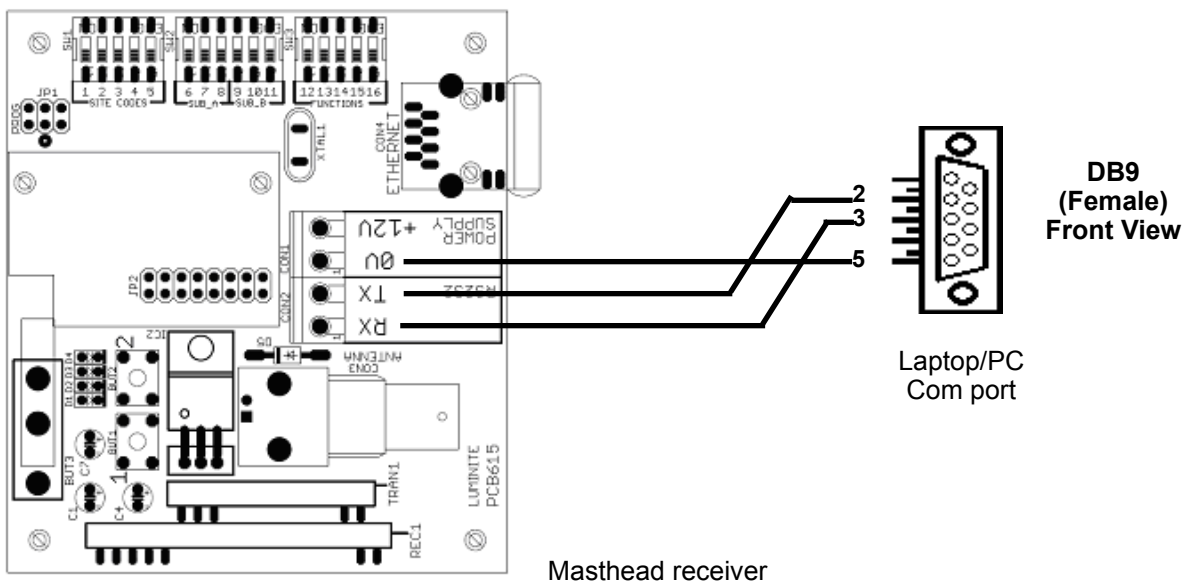


Configuration Information

To access the masthead receiver connect an RS232 cable to your PC/Laptop as shown below and run a Terminal programme such as the Windows 'HyperTerminal'. If you don't have Hyper Terminal you can download a terminal programme from here:

<http://www.heitel.co.uk/HTTerm.exe>

Set the baud rate to 19,200 (and if using Hyper Terminal the Data bits to 8, the Parity to none, the Stop bits to one and the flow control to none).



How to enter Masthead Configuration

Once the unit is connected as described above:

- Disconnect power to the masthead
- Hold down 'Button 1'
- Apply power whilst holding Button 1 down and release the button one second after powering up
- The configuration menu should appear

Masthead Setup (relevant to HeiTel)

- i. Follow the configuration instructions that came with your masthead, but pay particular attention to setting C the '**Interface Type**', this needs to be set to '3'.
- ii. Ensure item 'F' is configured for D, T and B as a minimum.
- iii. Refer to the Luminite instructions for full details of how to configure the masthead.

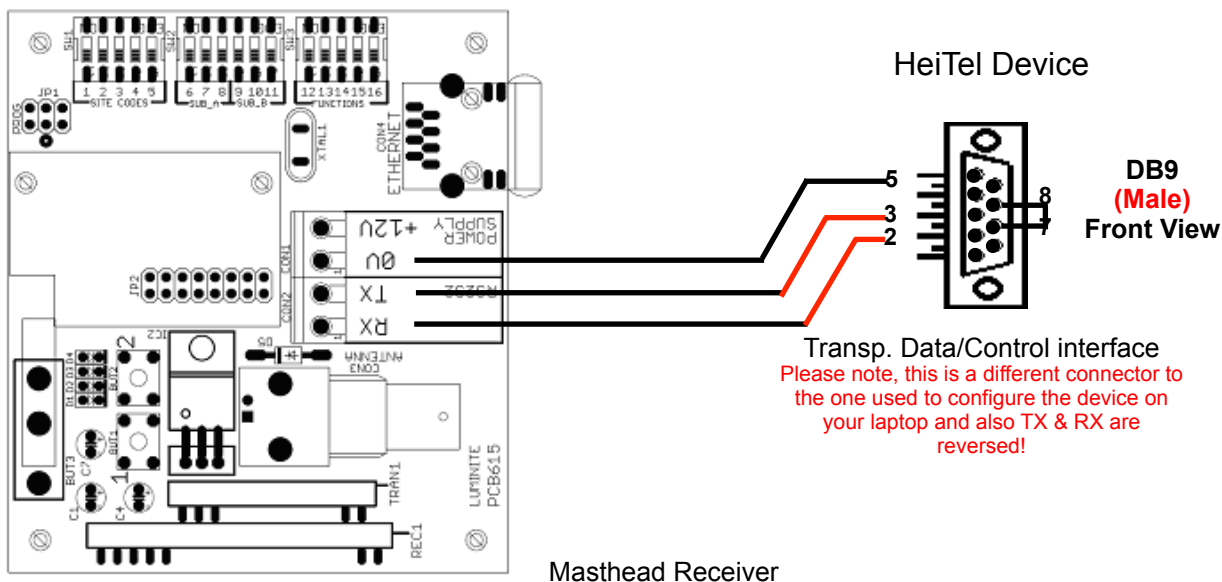
```

-----
A: Change TCP Password:          -NOPASSWORD
B: Change TCP BasePort:          9760
C: Change Interface Type:        3
D: Change Alarm Server IP:       0.0.0.0
E: Change Alarm Server Port:     0
F: Change Alarm Parameters:      DTB
S: Save & Quit.

Enter a menu choice: |
  
```

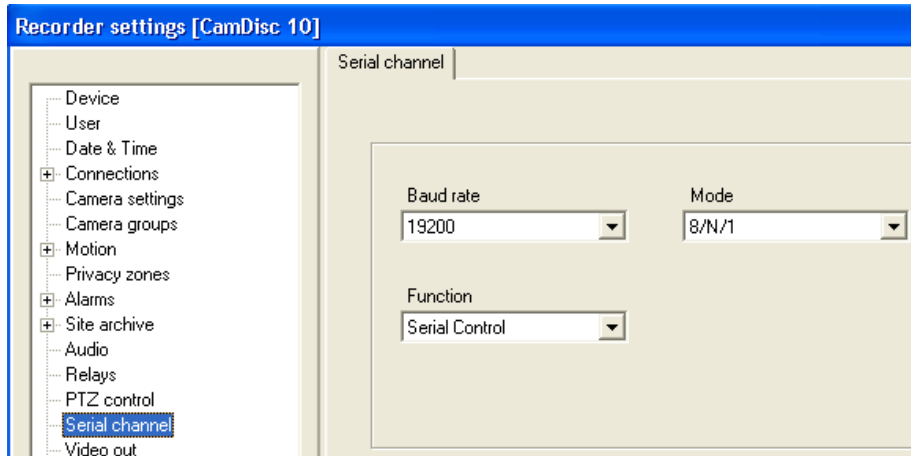
Connection to the HeiTel unit

Connect the three wires as shown below. *Please note TX and RX are reversed compared with the connection to the PC!*



Configuring the HeiTel Device

- Connect to the HeiTel device using the USB cable provided and enter Setup; select 'Serial channel' and configure the baud rate to 19,200 and the 'Function' to 'Serial Control' as shown in the screen shot on the following page.



- Save the setting and hang up the connection to the device.
- Reconnect and enter Setup on the CamTel/CamDisc and after a few seconds (up to 60) you should see a new entry called 'CI Adapter' as shown below..
- Inputs 1 to 25 of the 'CI Adapter' represent the alarms from PIR's address 1 to 25. Inputs 26 to 50 of the 'CI Adapter' are the tamper alarms for PIR's 1 to 25. You can now configure each of the 25 PIR's to select whatever camera you require on alarm and for domes, to send them to any preset you require.

Recorder settings [CamDisc 10]

CI Adapter

Input	Camera	Preset	Alarm	Entry/Exit time	Linked with mo	Trigger event	Contact
1	2	1	Alarm	10 s	Off	On	Normally opened
2	2	2	Alarm	10 s	Off	Off	Normally opened
3	3	0	Alarm	10 s	Off	Off	Normally opened
4	4	0	Alarm	10 s	Off	Off	Normally opened
5	5	0	Alarm	10 s	Off	Off	Normally opened
6	6	0	Alarm	10 s	Off	Off	Normally opened
7	7	0	Alarm	10 s	Off	Off	Normally opened
8	8	0	Alarm	10 s	Off	Off	Normally opened
9	9	0	Alarm	10 s	Off	Off	Normally opened
10	10	0	Alarm	10 s	Off	Off	Normally opened
11	1	1	Alarm	10 s	Off	Off	Normally opened
12	2	3	Alarm	10 s	Off	Off	Normally opened
13	3	0	Alarm	10 s	Off	Off	Normally opened
14	4	0	Alarm	10 s	Off	Off	Normally opened
15	5	0	Alarm	10 s	Off	Off	Normally opened

- Inputs 26 to 50 are the tamper alarms for PIR zones address 1 to 25 respectively. These should be configured to 'Fire/Panic' (to ensure the tamper alarms are sent to the monitoring centre irrespective of whether the device is armed or disarmed).

Recorder settings [CamDisc 10]

CI Adapter

Input	Camera	Preset	Alarm	Entry/Exit time	Linked with mo	Trigger event	Contact
26	2	1	Fire/Panic	10 s	Off	Off	Normally opened
27	2	2	Fire/Panic	10 s	Off	Off	Normally opened
28	3	0	Fire/Panic	10 s	Off	Off	Normally opened
29	4	0	Fire/Panic	10 s	Off	Off	Normally opened
30	5	0	Fire/Panic	10 s	Off	Off	Normally opened
31	6	0	Fire/Panic	10 s	Off	Off	Normally opened
32	7	0	Fire/Panic	10 s	Off	Off	Normally opened
33	8	0	Fire/Panic	10 s	Off	Off	Normally opened
34	9	0	Fire/Panic	10 s	Off	Off	Normally opened
35	10	0	Fire/Panic	10 s	Off	Off	Normally opened
36	1	0	Fire/Panic	10 s	Off	Off	Normally opened
37	2	0	Fire/Panic	10 s	Off	Off	Normally opened
38	3	0	Fire/Panic	10 s	Off	Off	Normally opened
39	4	0	Fire/Panic	10 s	Off	Off	Normally opened
40	5	0	Fire/Panic	10 s	Off	Off	Normally opened